
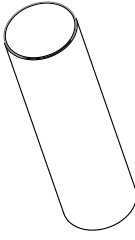






NO	PARÇA RESMI/ PART DRAWING	AD./ PCS.
1		2
2		2
3		2
4		2
5		2
6		2
7	4x25 SUNTA VIDASI C.SCREW	6
	M5 ALYAN	1