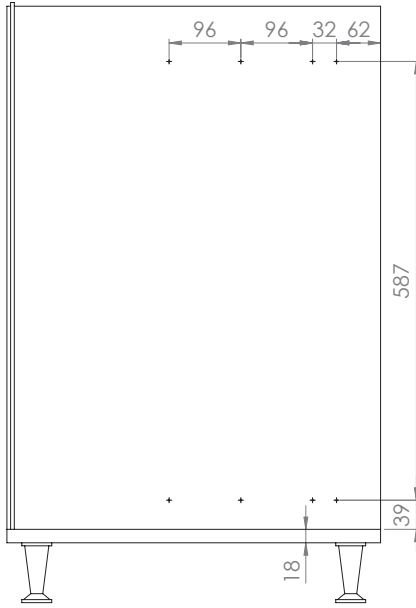
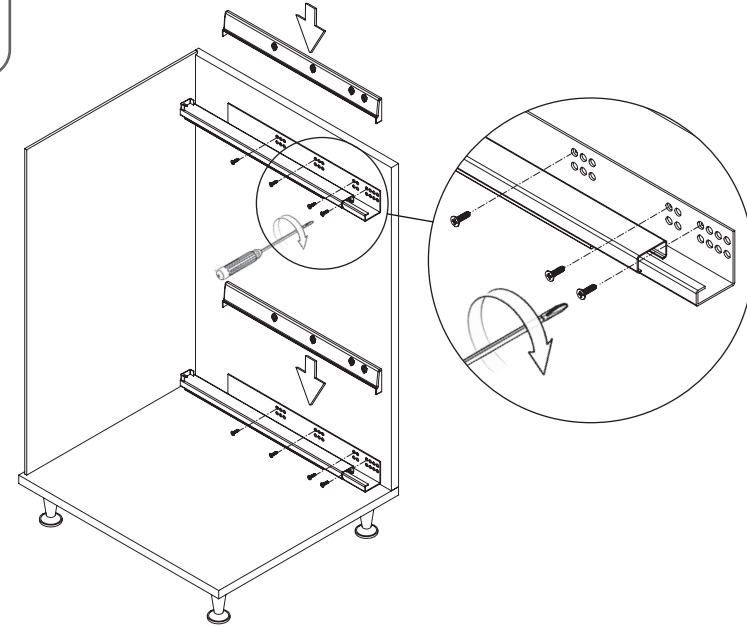


- YANDAN GİZLİ RAYLI ŞİŞE ÜNİTESİ MONTAJ ŞEMASI (SOL)
- BOTTLE UNIT WITH SIDE UNDERMOUNT RAIL MOUNTING INSTRUCTIONS (LEFT)

A-1

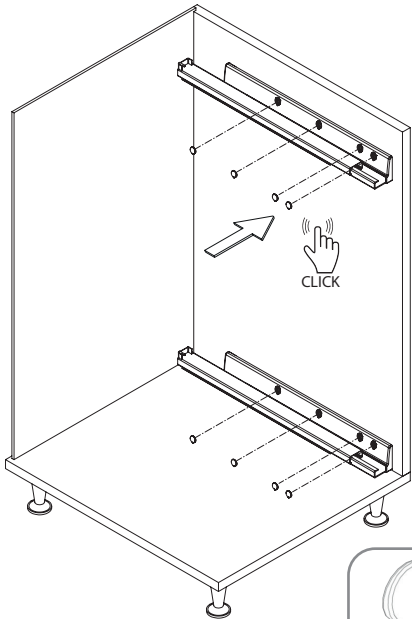


B-1



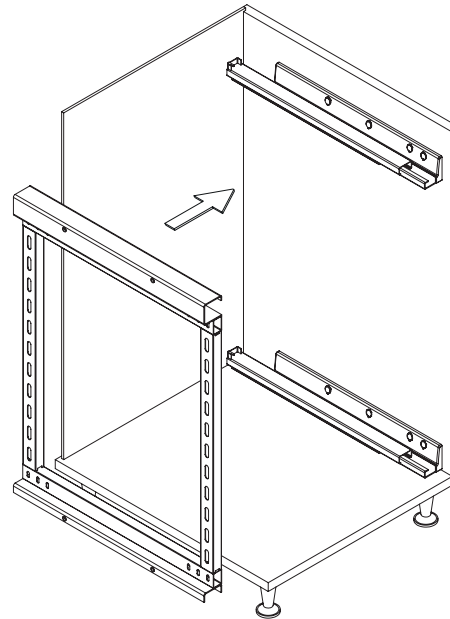
8x  
3.5x16

C-1

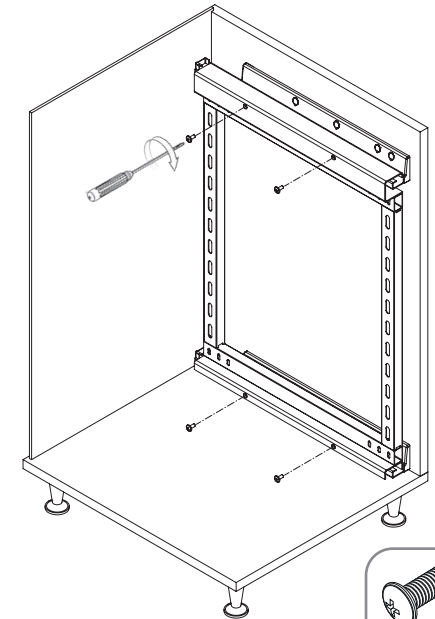


4x  
Cover

D-1

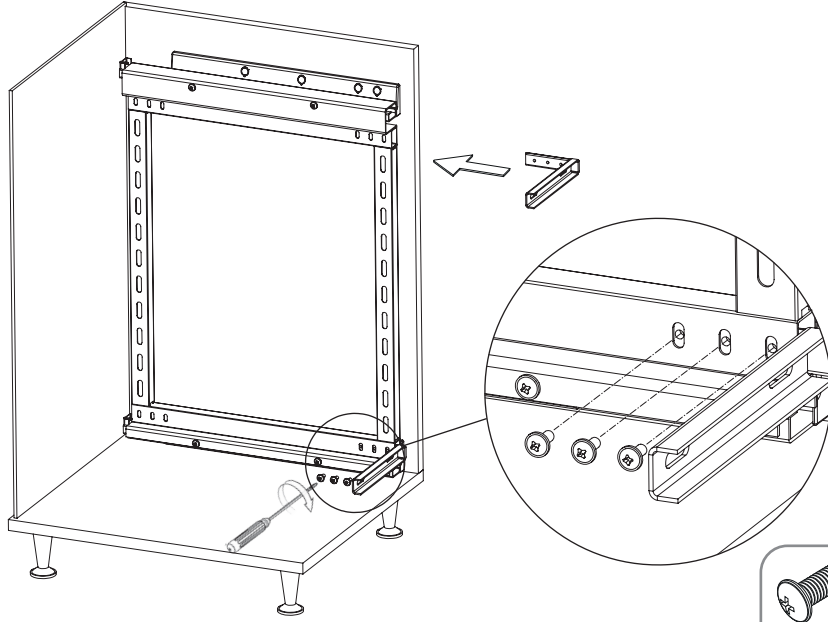


D-2



4x RYSB  
M5x12

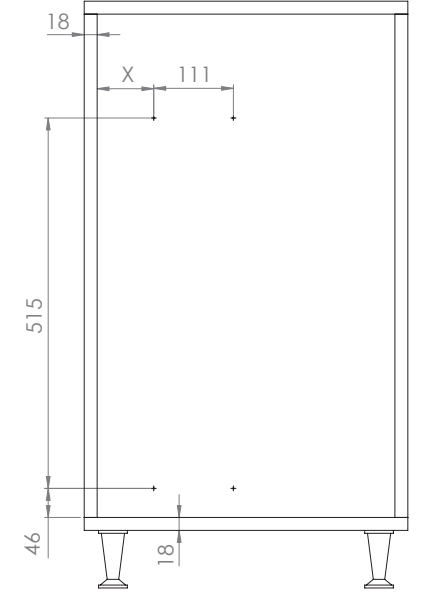
E-1



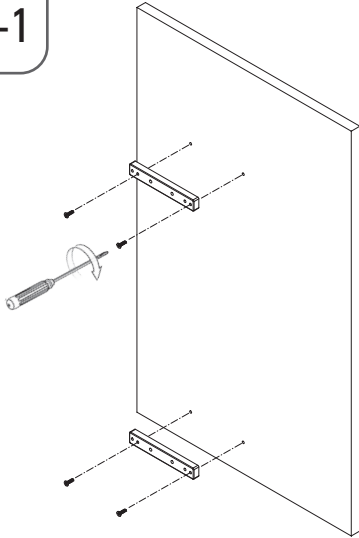
6x RYSB  
M5x12

F-1

C	X
250	79
300	79
350	119
400	119
450	119

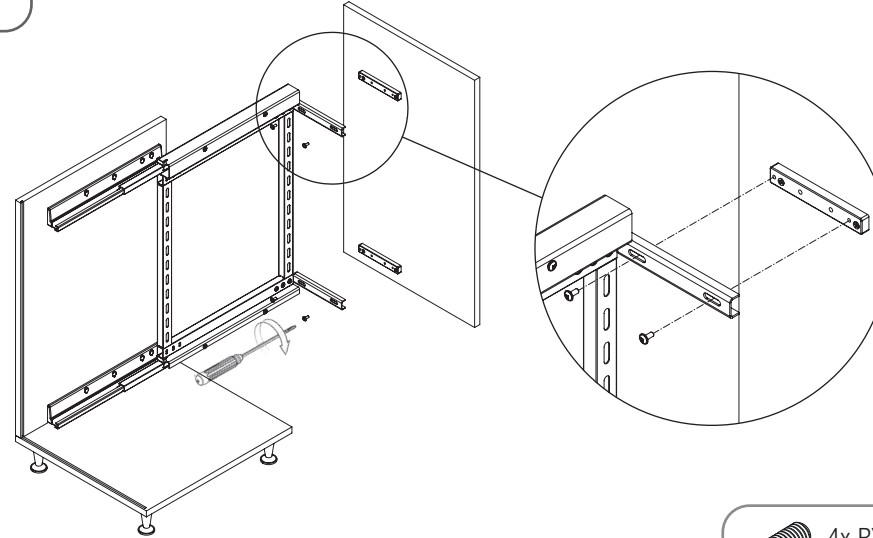


G-1



4x  
4x25

H-1



4x RYSB  
M5x12

J-1

