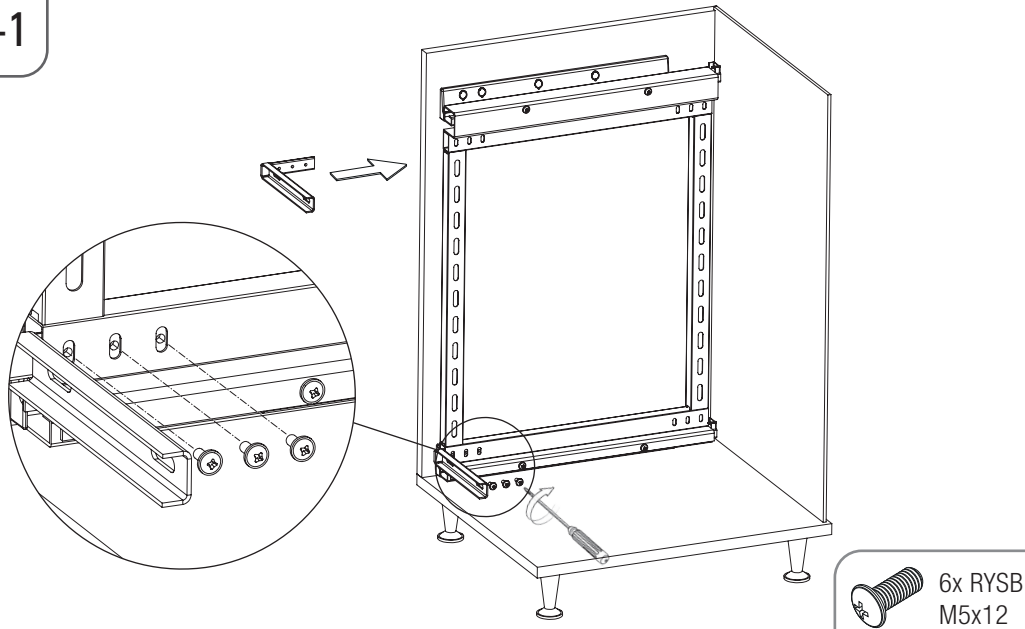


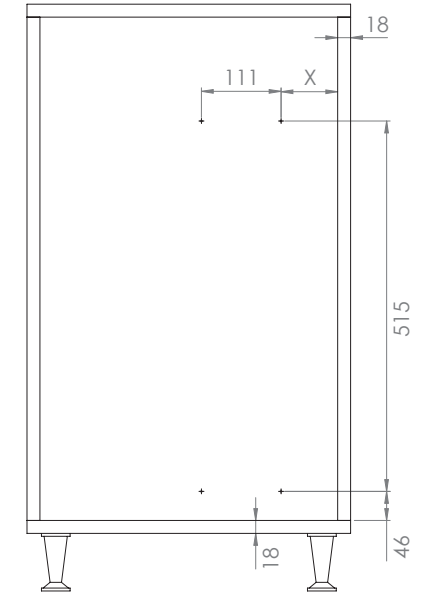
- YANDAN GİZLİ RAYLI ŞİŞE ÜNİTESİ MONTAJ ŞEMASI (SAĞ)
- BOTTLE UNIT WITH SIDE UNDERMOUNT RAIL MOUNTING INSTRUCTIONS (RIGHT)

E-1

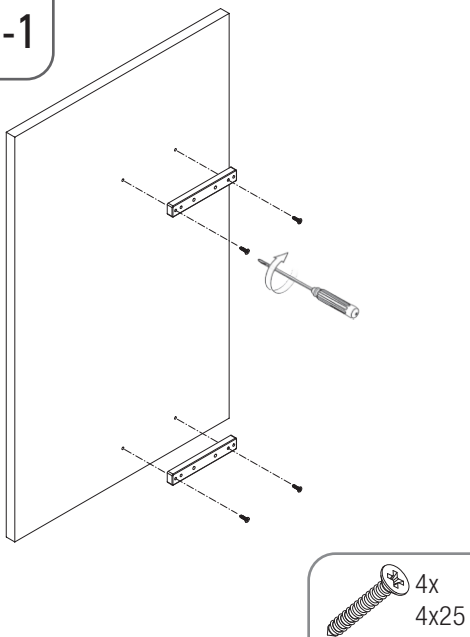


F-1

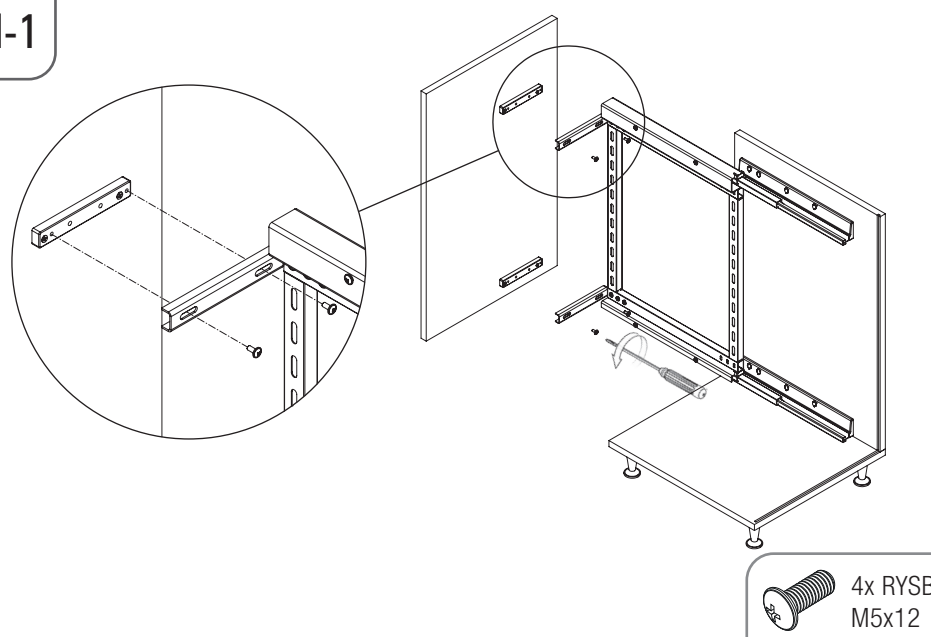
C	X
250	79
300	79
350	119
400	119
450	119



G-1



H-1



J-1

