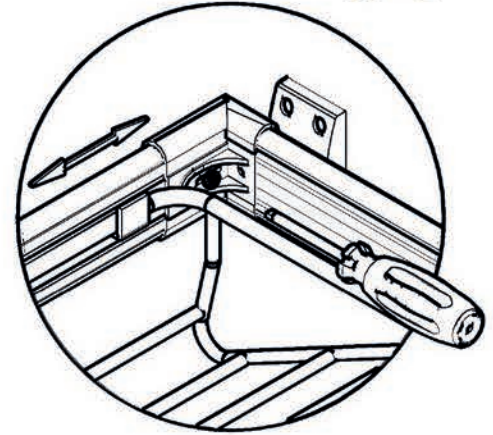


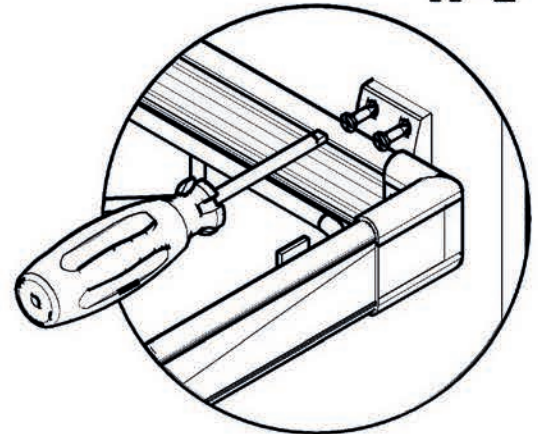
ALUMINIUM SHOE HOLDER WITH TELESCOPIC MOUNTING INSTRUCTION

A-1

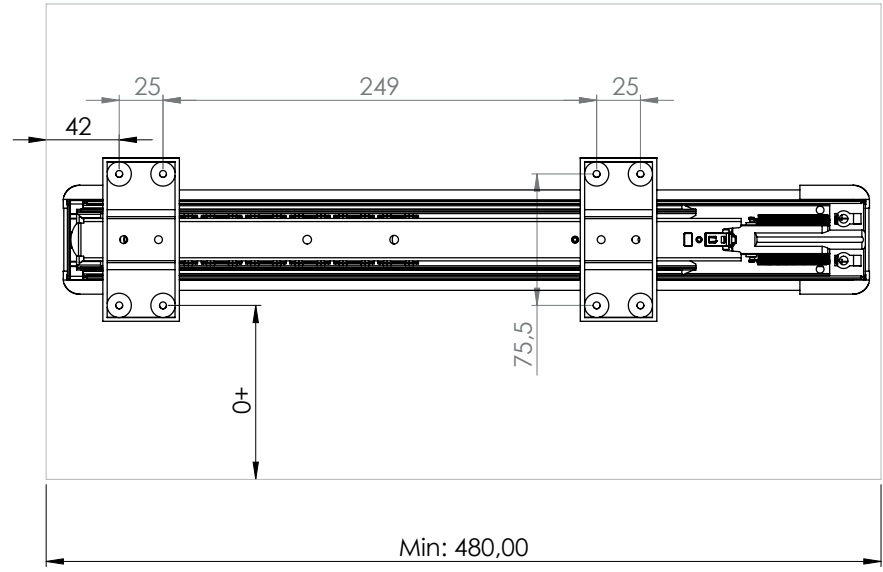
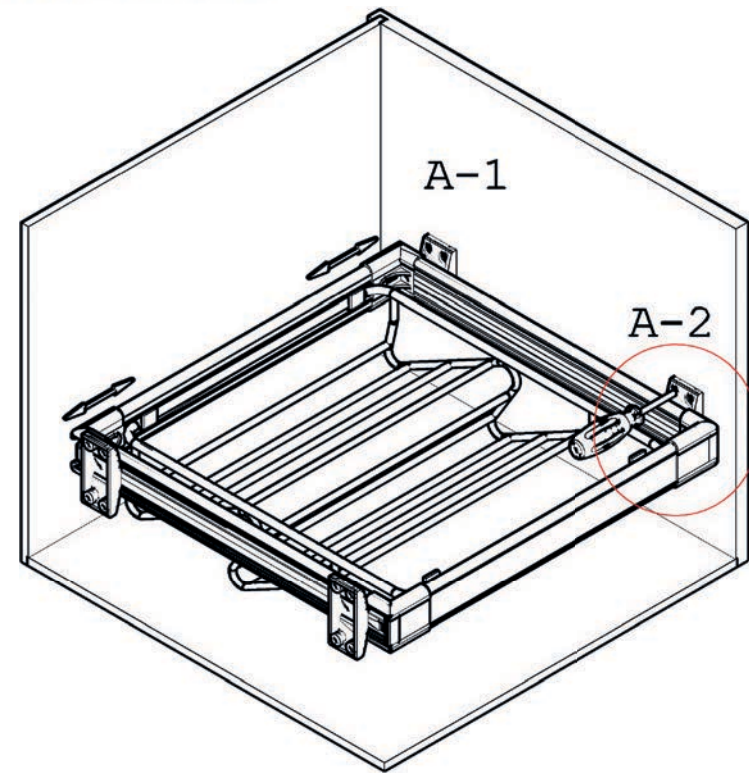


1- Loosen to screw on the corner plastic. Adjust according frame of shoes rack in width module. (A-1)

A-2



2- Fix to screws on of corner plastic(A-1). Check to working of mechanism.



ITEM PARTS

NO	PART NAME	PCS.
1	SHOES RACK	1 Pcs.
2	RAIL	1 Set.
3	CHIP BOARD SCREW 3,5x16	16 Pcs.