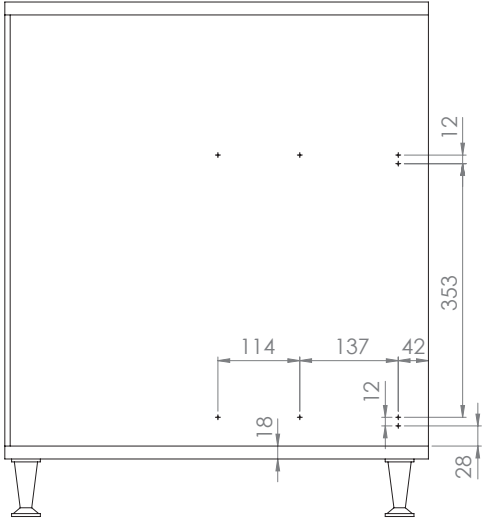


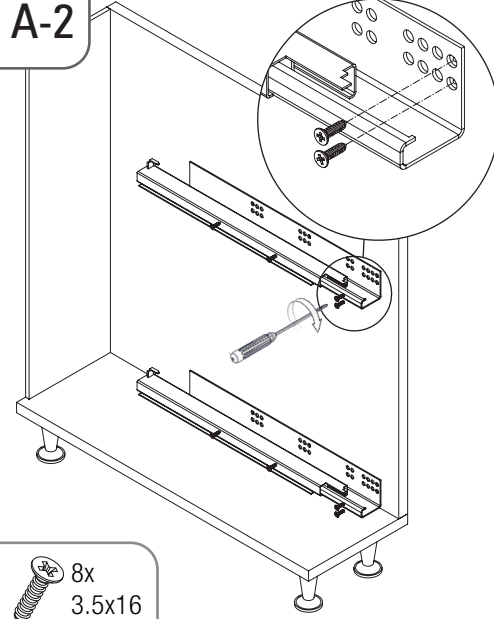
- GİZLİ RAYLI ŞİŞELİK (ÇİFT AÇILIM) MONTAJ ŞEMASI (SAĞ)
- BOTTLE HOLDER WITH UNDERMOUNT RAIL (FULL EXTENSION) MOUNTING INSTRUCTIONS (RIGHT)

STARAX

A-1

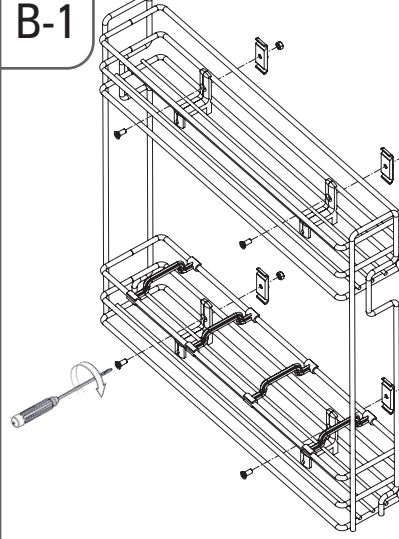


A-2



8x
3.5x16

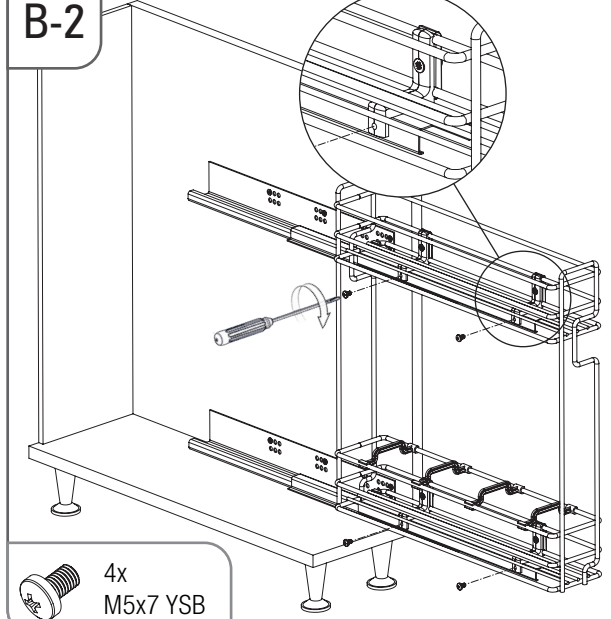
B-1



4x
M5 Nut

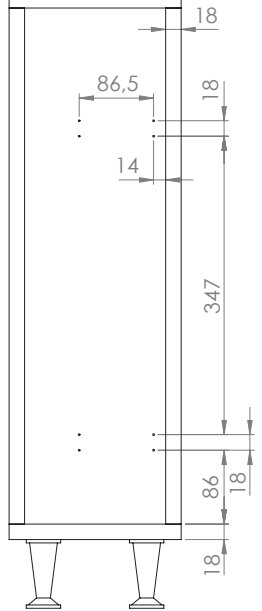
4x
M5x10 YHB

B-2

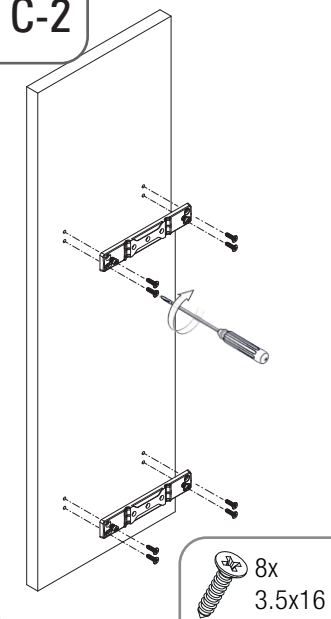


4x
M5x7 YSB

C-1

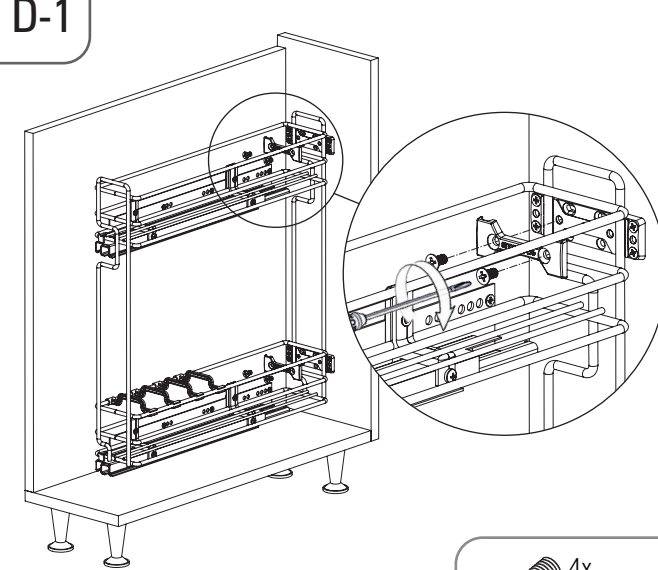


C-2



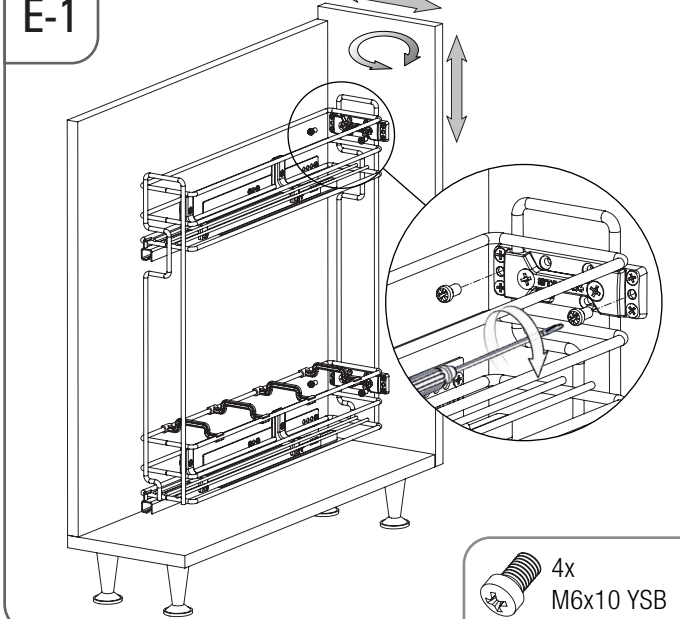
8x
3.5x16

D-1



4x
M6x10 YHB

E-1



4x
M6x10 YSB

- GİZLİ RAYLI ŞİŞELİK (ÇİFT AÇILIM) MONTAJ ŞEMASI (SOL)
- BOTTLE HOLDER WITH UNDERMOUNT RAIL (FULL EXTENSION) MOUNTING INSTRUCTIONS (LEFT)

